

Wärmetauscher AUSTRIA

POWER **S**SOLAR

THERMISCHE HÖCHSTLEISTUNG MIT DER KRAFT VON EXPERTEN

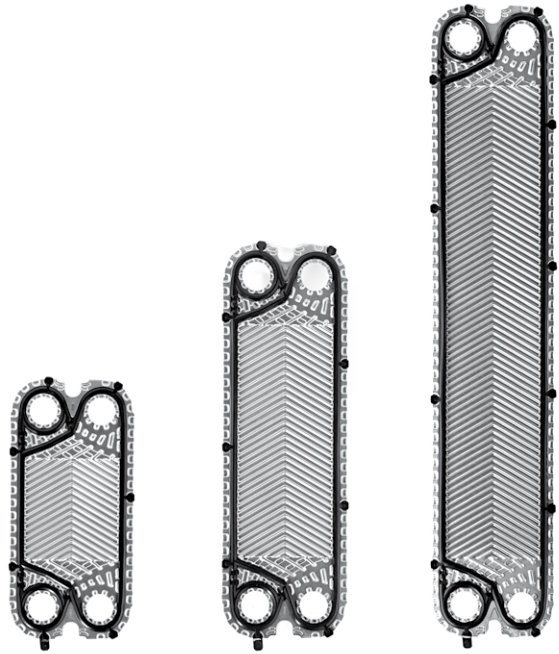
www.power-solar.at / office@power-solar.at

Tel.: +43 (0) 7229-81 800



PRODUCT RANGE DN 32+

STANDARD OR CUSTOMIZED



Product Range	P020+				P040+				P080+			
Exchange area [m ²]	0,021				0,041				0,081			
Width [mm]	145				145				145			
Height [mm]	305				455				740			
Connections diameter	DN32 1"1/4				DN32 1"1/4				DN32 1"1/4			
Channel capacity [l]	0,063				0,103				0,181			
Tightening quote [mm]	2,9				2,9				2,9			
Plate weight (with gasket) [Kg]	0,18				0,27				0,45			
Corrugation angle	A				A				A			
Max. water flowrate [m ³ /h]	19				19				19			
PS=> Max working pressure [bar]	6	10	16	25	6	10	16	25	6	10	16	25
PT=> Max test pressure, EXEMPT* [bar]	9	15	21	30	9	15	21	30	9	15	21	30
PT=> Max test pressure, PED [bar]	-	16	26	40	-	16	26	40	-	16	26	40

Ex art. 3.3 D.Lgs. 93 of 25/02/2000 in accordance with Directive 97/23.
Announced pressions are referred to AISI 316L plates.

DN32

DN50

DN65

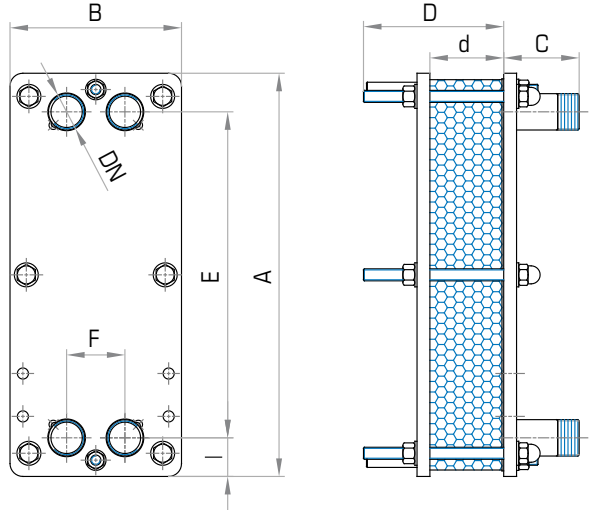
DN100

DN150

DN200

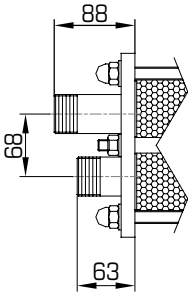
All data and drawings herewith described can be changed without prior notice and are not binding for the manufacturer

Frames size



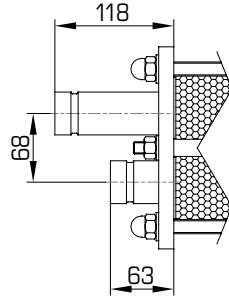
		S020+			S040+			S080+			
A		320			470			755			
B		200			200			200			
E		230			380			665			
F		68			68			68			
I		45			45			45			
Np max		29	49	75	29	49	75	29	49	75	101
D max		169	269	469	169	269	469	169	269	469	580
d (J-J)		2,9 x Np+2			2,9 x Np+2			2,9 x Np+2			
DN		DN32 1"1/4			DN32 1"1/4			DN32 1"1/4			
J-J	C I	63			63			63			
	C II	88			88			88			
M-M	C	73			73			73			
J-M	C I	59			59			59			
	C II	73			73			73			
Y-Y	C I	63			63			63			
	C II	118			118			118			
X-X K-K	C I	180			180			180			
	C II	176			176			176			

All dimensions are in mm - Np = number of plates



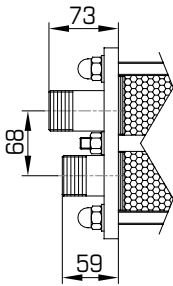
J-J

Male threaded connections.



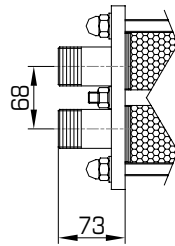
Y-Y

AISI 316 grooved pipe connections.



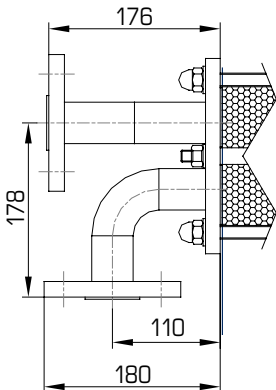
J-M

AISI 316 and PP male threaded connections.



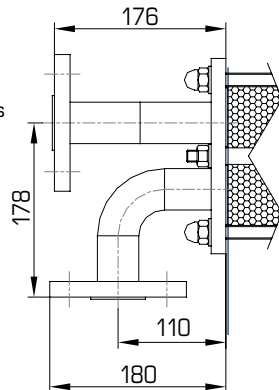
M-M

PP male threaded connections.



X-X

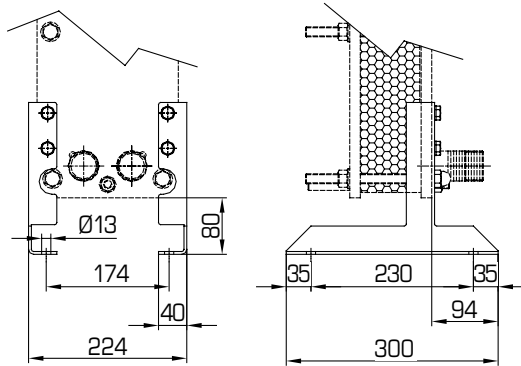
AISI 304 pipes with AISI 316 loose flanges EN PN16-40 or ANSI 150-300lbs



K-K

AISI 304 pipes with carbon steel loose flanges EN PN16-40 or ANSI 150-300lbs

Support Feet



Materials

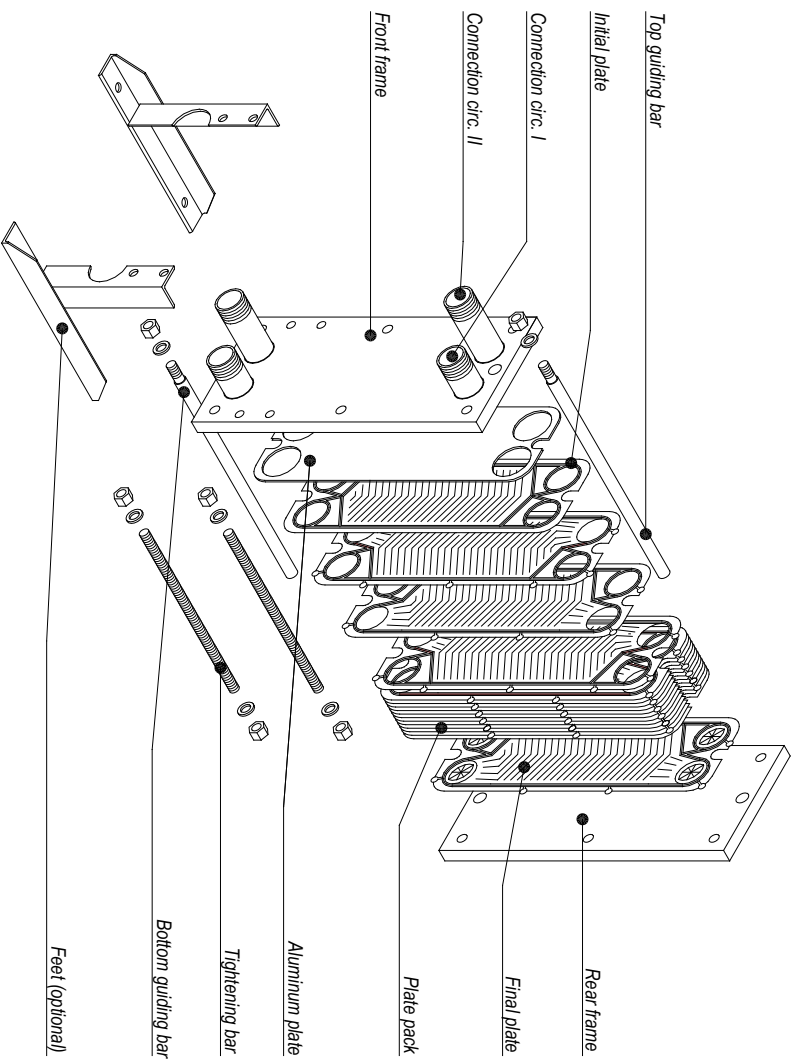
		S020+	S040+	S080+
Plate	AISI 304	●	●	●
	AISI 316L	●	●	●
	254 SMO	●	●	●
	Titanium	●	●	●
Gasket	NBR	●	●	●
	EPDM Prx.	●	●	●
	FPM	●	●	●
	HNBR	●	●	●
Frame	Carbon steel	●	●	●
	AISI 304, solid		●	●
Connection type	J-J	●	●	●
	Y-Y	●	●	●
	J-M	●	●	●
	M-M	●	●	●
	X-X	●	●	●
	K-K	●	●	●

Gaskets material maximum temperatures

NBR	-20 °C	110 °C
EPDM Prx.	-20 °C	160 °C
FPM	-20 °C	200 °C
HNBR	-20 °C	160 °C

The temperatures must be considered not applicable in all working conditions.

Component blow-up drawings Models SO20+, SO40+, SO80+



CERTIFICATIONS APPROVALS



- ISO 9001
Quality Management
- PED 97/23/EC
Pressure Equipment Directive
Module B, D1 & D (up to Risk Cat. IV)



- ACS
Attestation de Conformité Sanitaire



- GOST-R
Certificate of Conformity



- OHSAS 18001
Occupational Health and Safety



- ISO 14001
Environmental Management

MADE IN ITALY

Wärmetauscher AUSTRIA
POWER SOLAR

TERMISSCHE HOCHSTLEISTUNG MIT DER KRAFT VON EXPERTEN
www.power-solar.at / office@power-solar.at
Tel.: +43 (0) 7229-81 800